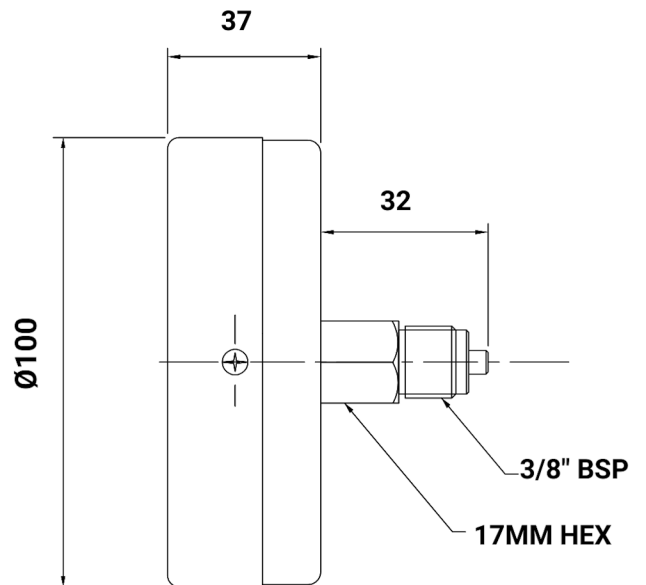
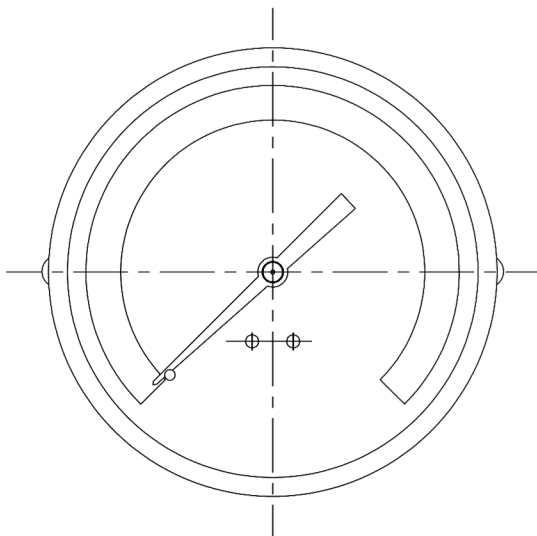
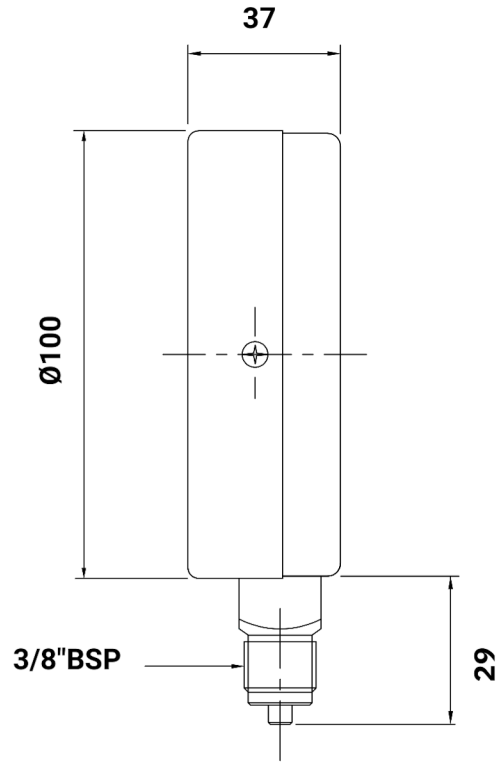
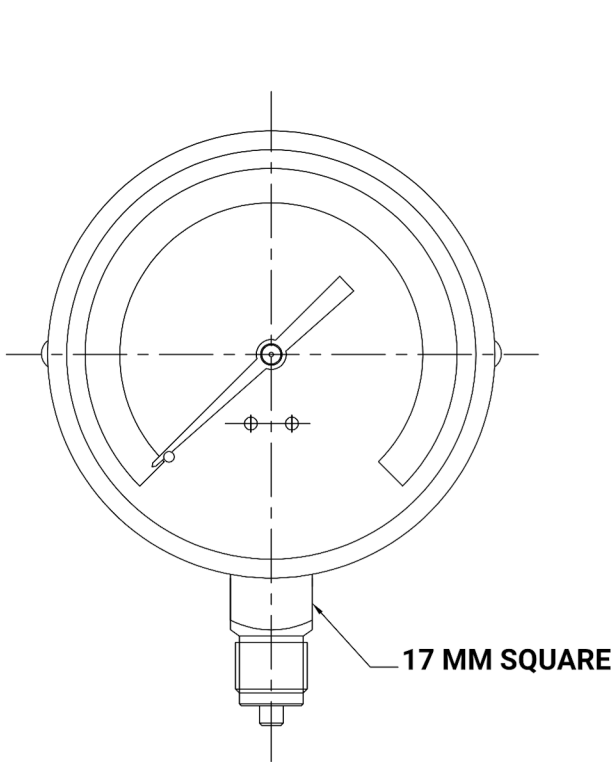


100MM PRESSURE GAUGE - BLACK & POLISHED STAINLESS STEEL (Bottom & back entry)



DIAMETER	100MM
SENSOR	BOURDON TUBE
WETTED MATERIALS	BRASS/BRONZE
MOUNTING STYLE	DIRECT MOUNTING BOTTOM & BACK ENTRY
CASE	MILD STEEL, BLACK POWDER COATED
BEZEL	STAINLESS STEEL
CONNECTION	3/8" BSP MALE
WINDOW	GLASS
SCALE	BAR & LBF/IN ²
ACCURACY	CLASS 1.0
STANDARD	EN 837-1
FEATURES	BLOW OUT DISC
PRESSURE MEDIUM	GAS OR LIQUID NOT CORROSIVE TO BRASS/BRONZE. NOT FOR USE ON STEAM, OXYGEN OR ACETYLENE. NOT FOR USE ON GASES ABOVE 25 BAR
RANGE	4, 7, 11 & 16 BAR



The information within this document is believed to be correct at the time of publication; however, the document is for guideline use only. For complete accuracy, always check the product with an SBS representative. Missing information was either not available or disclosed. It is your responsibility that any product meets the necessary requirements. Any reliance placed upon this information will be totally at the user's risk.