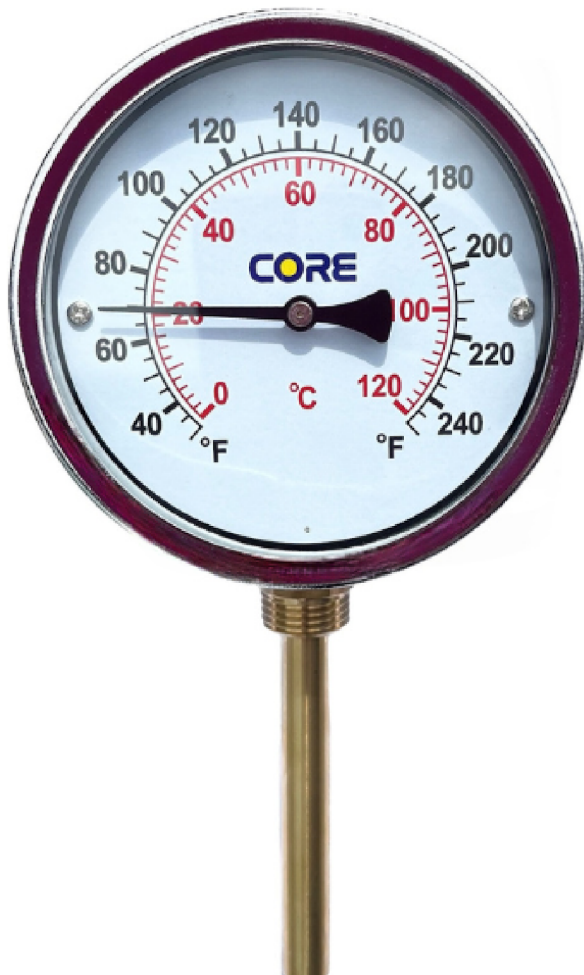
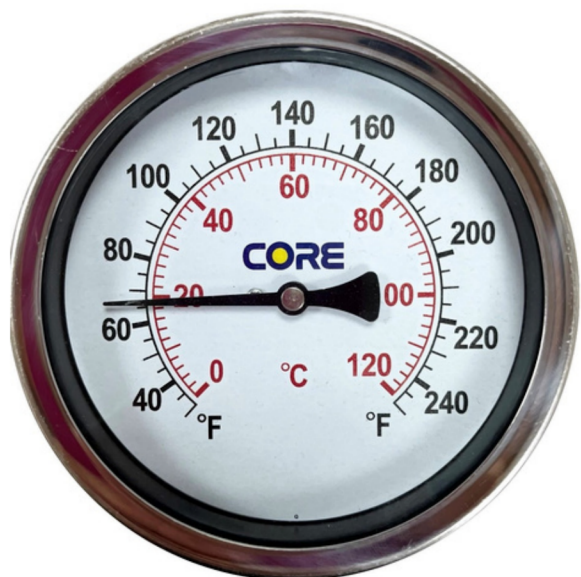
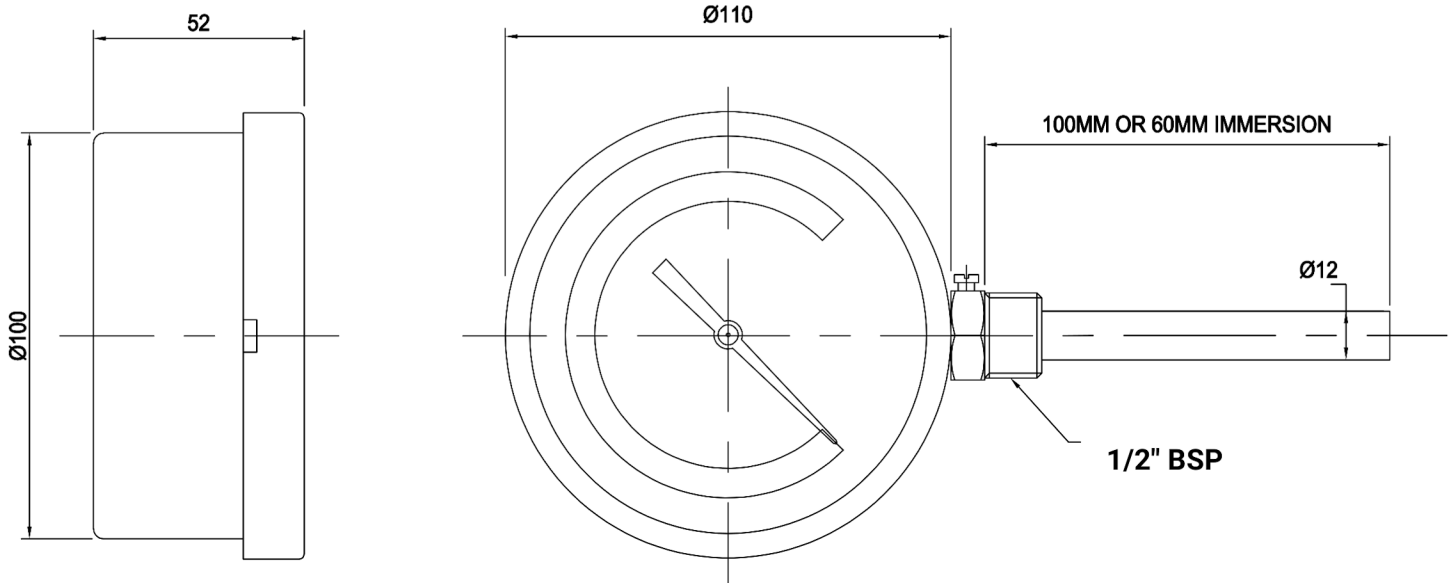
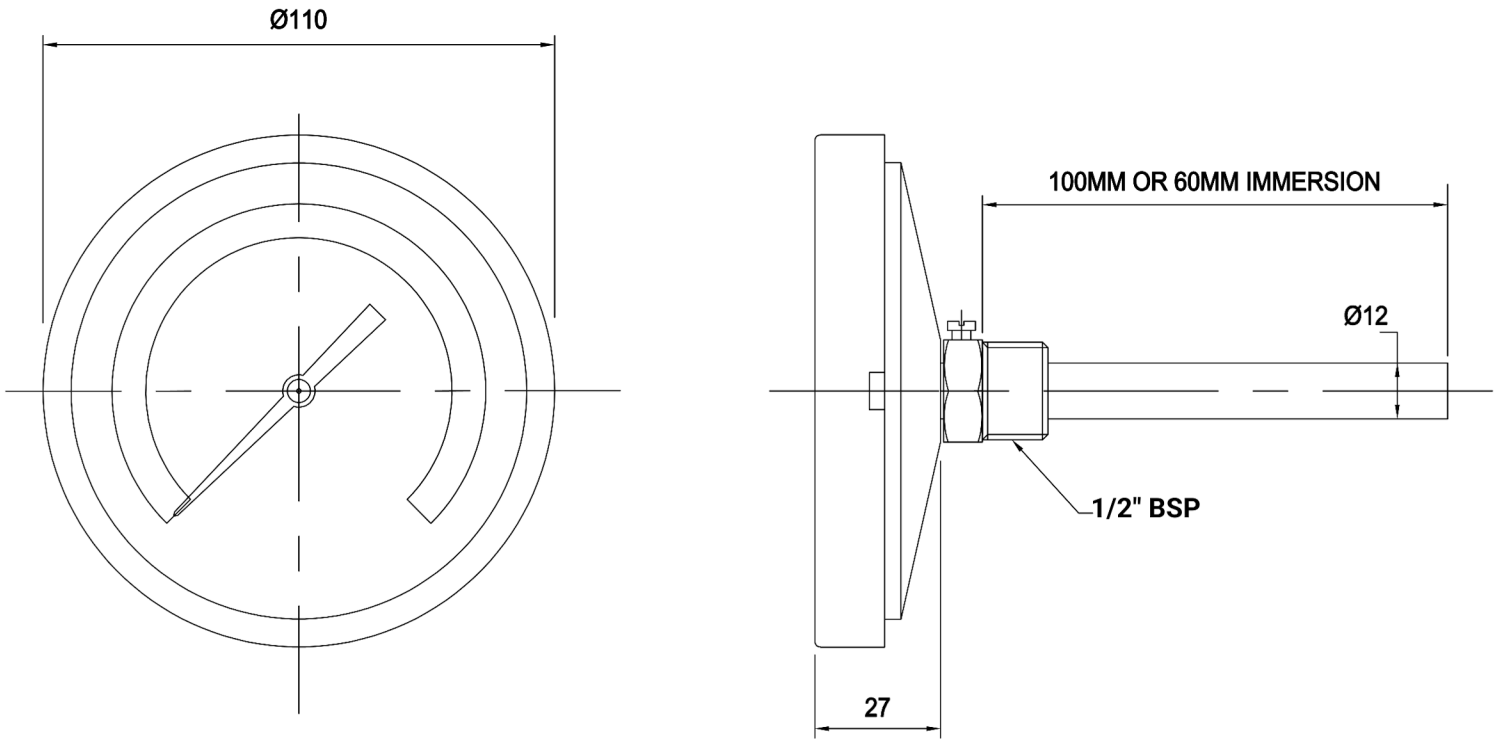


100MM BI-METAL THERMOMETERS -BLACK AND POLISHED STAINLESS STEEL (Bottom and back entry)



DIAMETER	100MM
SENSOR	BIMETALLIC
POCKET	SOLID DRILLED BRASS 12MM DIA. 60MM OR 100MM UNDER HEX
MOUNTING STYLE	DIRECT MOUNTING BOTTOM & CENTRE BACK ENTRY
CASE	MILD STEEL , BLACK POWDER COATED
BEZEL	POLISHED STAINLESS STEEL
CONNECTION	1/2" BSP MALE
WINDOW	GLASS
SCALE	°C & °F
ACCURACY	CLASS 1
STANDARD	EN13190
FEATURES	STAINLESS STEEL POCKET AVAILABLE
RANGE	0 + 120 °C & °F





The information within this document is believed to be correct at the time of publication; however, the document is for guideline use only. For complete accuracy, always check the product with an SBS representative. Missing information was either not available or disclosed. It is your responsibility that any product meets the necessary requirements. Any reliance placed upon this information will be totally at the user's risk.