

CORE 32

DZR Brass Thermostatic Balancing Valve with Anti Legionella Device



Features

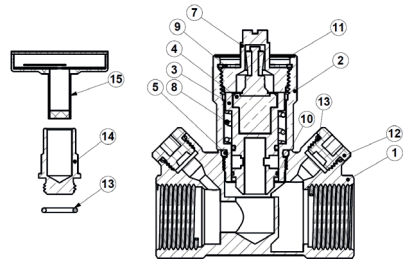
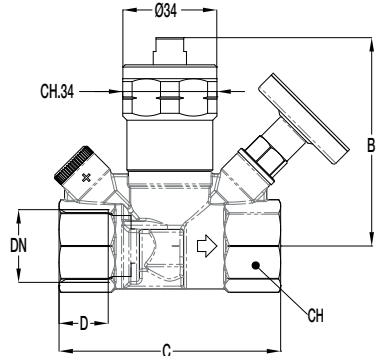
- BSP Parallel (ISO 7/1)
- Fluid: water
- Automatic Legionella Disinfectant feature
- Improves efficiency of DHW systems
- Automatically responds to changes in system temperature and flow requirements
- Reduces heat loss through lower circulation of hot water
- Keeps temperature evenly distributed and reduces dead-legs



Technical data

Max pressure (Static): 25 Bar
 Working temp: +40°C to +60°C
 Max Inlet temp: 90°C
 Anti Legionella Temp: 70°C

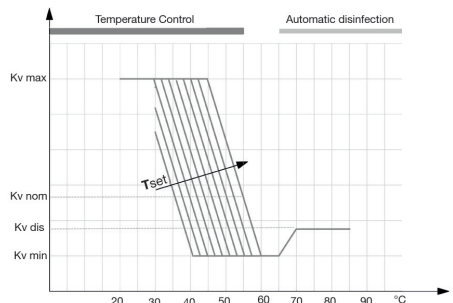
DN	1/2"	3/4"	1"
B	73	75	77
C	77	80	87
D	17	18.5	21
CH	25	31	38
KV Max	1.5	3.1	3.6
KV Nom	0.6	0.7	0.8
KV Dis	0.5	0.5	0.5
KV Min	0.25	0.25	0.25
Kgs	0.49	0.55	0.65



N. Part Name Materials

1	Body	DZR Brass CW602N-M
2	Bonnet	Brass CW510L-DW
3	Shutter	Brass CW510L-DW
4	Thermostatic Element	
5	O-Ring	EDPM PEROX
6	O-Ring	EDPM PEROX
7	Ring Nut	Brass CW617N-DW
8	Spring	INOX AISI 302
9	Seeger	Steel
10	O-Ring	EPDM PEROX
11	Index	Aluminium
12	Plug	Nylon 6.6
13	O-Ring	EPDM PEROX
14	Temperature Gauge Sheath	Brass CW501L-DW
15	Temperature Gauge	Brass CW501L-DW

Regulating Characteristics



V1. Dimensions in mm

The information within this document is believed to be correct at the time of publication; however, the document is for guideline use only. For complete accuracy, always check the product with an SBS representative. Missing information was either not available or disclosed. It is your responsibility that any product meets the necessary requirements. Any reliance placed upon this information will be totally at the user's risk.