

CORE 800

PN25 Brass Ball Valve



Features

- Compression Ends
- Anti-blow-out stem
- PTFE seats & seals
- Full bore
- Locking lever, tee handle and thermal extension options available
- For details on handles refer to the Ball Valve Accessory datasheet

EN331



GAS APPROVED

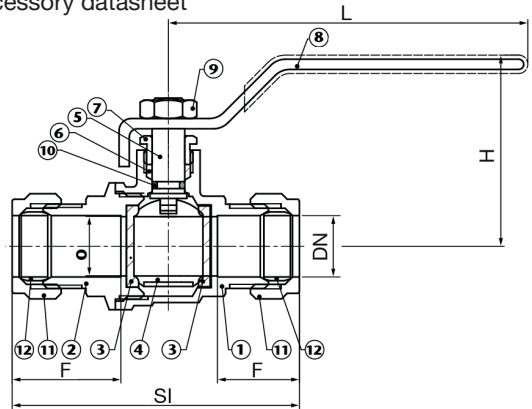


Technical data

Max pressure: 25 Bar
Working temp: -10°C to +110°C

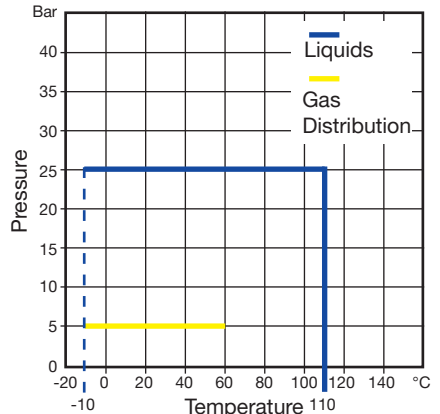
Technical data - Gas distribution

Max pressure: 5 Bar
Working temp: -10°C to +60°C



DN	15	22	28	35	42	54
O	14.5	19	24.5	31.5	39.5	59.5
F	18.8	20.3	22	24	28	32
SI	70.5	82	91.5	109	123	144
H	48	52	65	78	86	96
L	88	100	125	140	140	165
Kv	15.6	28	46	92	158	212
Kgs	0.21	0.40	0.60	0.90	1.20	2.33

N.	Part Name	Materials
1	Body	Brass / Nickel Plated CW617N
2	Cap	Brass / Nickel Plated CW617N
3	Seat	PTFE
4	Ball	Brass / Chrome Plated CW617N
5	Stem	Brass CW617N
6	Packing	PTFE
7	Lock Nut	Brass CW617N
8	Handle	Steel A3
9	Nut	Steel A3
10	O-Ring	NBR
11	Nut	Brass CW617N
12	Olive	Brass CW617N



V1. Dimensions in mm

This data sheet is designed as a guide and should not be regarded as wholly accurate in every detail. We reserve the right to amend the specification of any product without notice.