

CORE 171AP

DZR Brass Press Ball Valve



Features

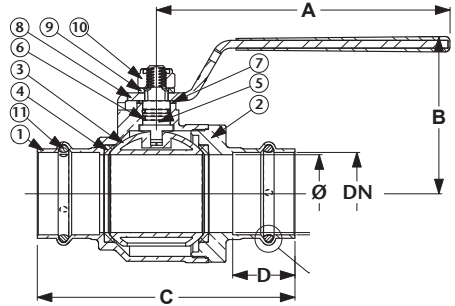
- Universal M & V Press 15mm to 35mm
- Dedicated M Profiles 42mm & 54mm
- Full Bore
- Thermal extension available
- 5 year warranty
- Suitable for cold pressure connection to stainless steel, copper and carbon steel pipes



Technical data

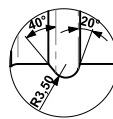
Max pressure: DN15 24 Bar
 DN22 & DN28 20 Bar
 DN35 - DN54 17 Bar

Working temp: -20°C to 140°C

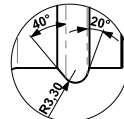


DN	15	22	28	35	42	54
A	90	90	110	110	150	150
B	47	52	57	66	81	88
C	78	91	99	107	133	155
D	22	25	27	27	32	33
Kv	17	41	68	123	198	290
Kgs	0.19	0.31	0.49	0.72	1.17	1.66

'M' Press (DN42)



'M' Press (DN54)



NB: Sizes 15mm to 35mm can be pressed with both 'M' and 'V' press jaws.

N.	Part Name	Materials
1	Body	DZR Brass CW511L-DW
2	Press End	DZR Brass CW511L-DW
3	Ball	Brass Chrome Plated
4	Ball Gaskets	PTFE
5	Stem	Brass
6	O-Ring	FKM 70 SH
7	Anti-Friction Ring	PTFE
8	Handle	Steel
9	Washer	Brass
10	Self-Locking Nut	Steel
11	O-Ring	EPDM 70 PEROX

