

CORE 140GB

Ductile Iron Butterfly Valve Lugged & Tapped



Features

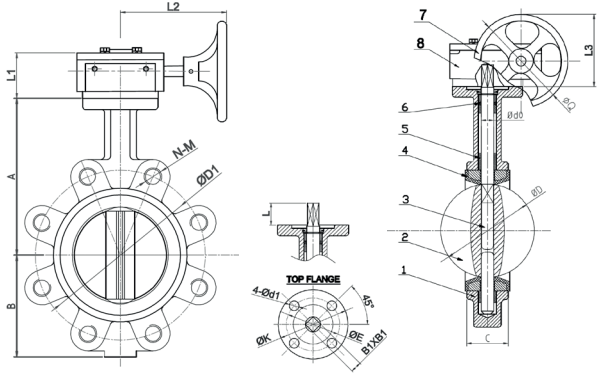
- Flanged mounting PN16 only
- BS5155 (BS EN 593)
- ISO 5211 direct mount
- Lockable handle
- Epoxy coat finish



Technical data

Max pressure: 16 Bar

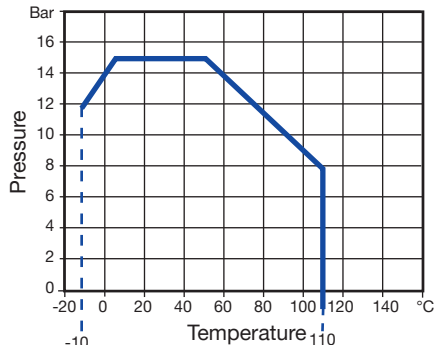
Working temp: -10°C to +110°C



| DN | 2" | 2 1/2" | 3" | 4" | 5" | 6" | 8" | 10" | 12" | 14" |
|-----|-------|--------|--------|--------|--------|---------|---------|---------|---------|--------|
| A | 140 | 150 | 158 | 176 | 190 | 211 | 235 | 265 | 305 | 368 |
| B | 80 | 89 | 95 | 114 | 127 | 139 | 175 | 203 | 242 | 267 |
| C | 42 | 44.7 | 46 | 52 | 54.4 | 55.8 | 60.6 | 65.6 | 76.9 | 76.5 |
| D | 52.9 | 64.5 | 78.8 | 104.0 | 123.3 | 155.1 | 202.5 | 250.5 | 301.5 | 333.3 |
| d0 | 12.6 | 12.6 | 12.6 | 15.8 | 18.9 | 18.9 | 22.1 | 28.5 | 31.6 | 31.6 |
| B1 | 9 | 9 | 9 | 11 | 14 | 14 | 17 | 22 | 22 | 22 |
| L | 26 | 26 | 26 | 28 | 28 | 28 | 36 | 36 | 38 | 42 |
| D1 | 125 | 145 | 160 | 180 | 210 | 240 | 295 | 355 | 410 | 470 |
| N-M | 4-M16 | 4-M16 | 8-M16 | 8-M16 | 8-M16 | 8-M20 | 12-M20 | 12-M24 | 12-M24 | 16-M24 |
| L1 | 62 | 62 | 62 | 62 | 62 | 62 | 76 | 76 | 75 | 75 |
| L2 | 156 | 156 | 156 | 156 | 156 | 156 | 208 | 208 | 186 | 186 |
| L3 | 106.5 | 106.5 | 106.5 | 106.5 | 106.5 | 106.5 | 178.5 | 178.5 | 177.0 | 177.0 |
| Q | 147 | 147 | 147 | 147 | 147 | 147 | 278 | 278 | 278 | 278 |
| Kv | 90.97 | 191.44 | 360.93 | 892.66 | 995.29 | 1705.87 | 3182.92 | 4961.15 | 9252.07 | 10212 |
| Kgs | 6.6 | 7.2 | 8.1 | 9.9 | 11.8 | 13.8 | 24.3 | 34.6 | 51.6 | 58.3 |

N. Part Name Materials

| | | |
|---|-----------|---------------------|
| 1 | Body | Ductile Iron GGG40 |
| 2 | Disc | Stainless Steel 316 |
| 3 | Shaft | Stainless Steel 410 |
| 4 | Seat | EPDM |
| 5 | Bushing | PTFE |
| 6 | O-Ring | NBR |
| 7 | Handwheel | Cast Iron |
| 8 | Gear | Cast Iron |



V1. Dimensions in mm

The information within this document is believed to be correct at the time of publication; however, the document is for guideline use only. For complete accuracy, always check the product with an SBS representative. Missing information was either not available or disclosed. It is your responsibility that any product meets the necessary requirements. Any reliance placed upon this information will be totally at the user's risk.