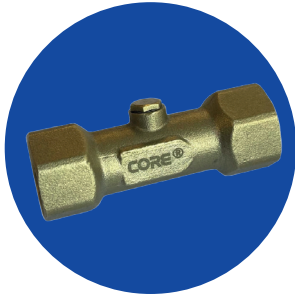


CORE 4426

DZR Brass Double Check Valve



Features

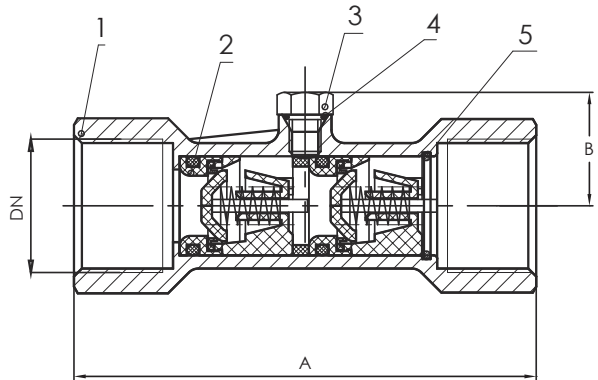
- Screwed F/F BSP Parallel (ISO 228/1) ends
- Conforms with EN13959
- Prevention of backflow and back siphonage contamination
- Suitable for Fluid Categories 1, 2 & 3



Technical data

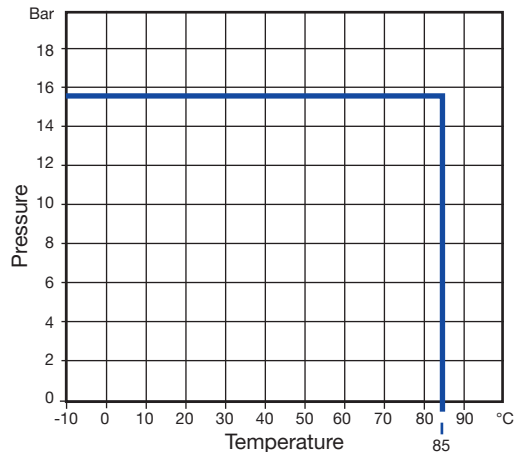
Max pressure: 16 Bar

Working temp: -10°C to 85°C



DN	1/2"	3/4"	1"	1 1/4"	1 1/2"	2"
A	71	83	98	118	134	173
B	17.5	20	22.8	26	30	35
Kv	3.7	7.1	10.3	17.5	26.0	42.5
Kgs	0.11	0.17	0.28	0.45	0.64	1.19

N.	Part Name	Materials
1	Body	DZR Brass
2	Non-return core	POM
3	Screw	Brass HPb59-T
4	O-Ring	NBR
5	Catch Spring	Stainless Steel 304



V2. Dimensions in mm

The information within this document is believed to be correct at the time of publication; however, the document is for guideline use only. For complete accuracy, always check the product with an SBS representative. Missing information was either not available or disclosed. It is your responsibility that any product meets the necessary requirements. Any reliance placed upon this information will be totally at the user's risk.