

## CORE Lockshield Gate Valve

CORE Codes: CF416LS015,  
CF416LS022, CF416LS028

Brass Body

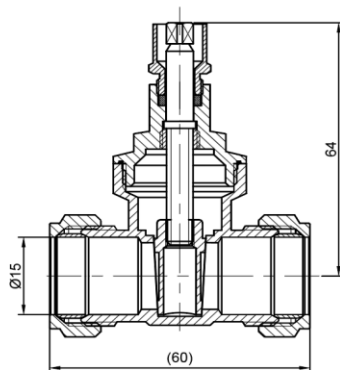
Fields of applications: Water

Maximum working pressure: 16 bar

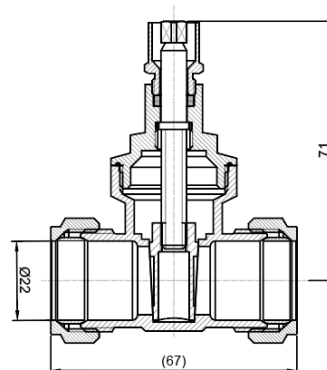
Maximum working temperature: 85°C



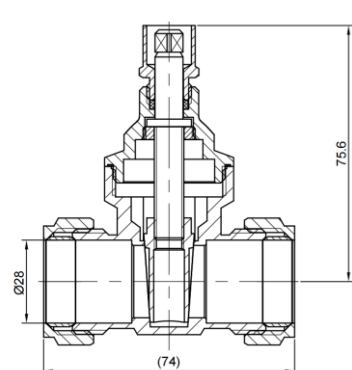
15mm



22mm



28mm



**Disclaimer:** The information within this brochure is believed to be correct at the time of publication; however, the literature is for guideline use only. For complete accuracy, always check the product with a CORE representative. Missing information was either not available or disclosed. Confirm with the CORE technical team for complete and accurate information, as it is your responsibility that any product meets the necessary requirements. Any reliance placed upon this information will be totally at the user's risk.