

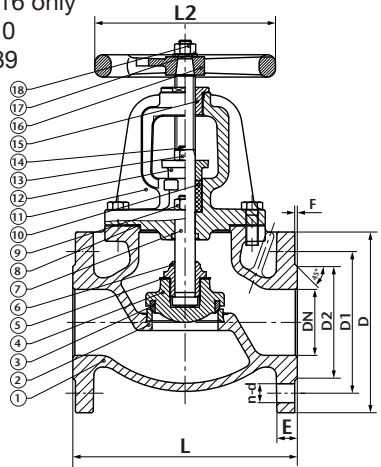
CORE 382

PN16 Cast Iron Globe Valve



Features

- Flange mounting PN16 only
- BS EN558-1 series 10
- Conforms to EN13789



Technical data

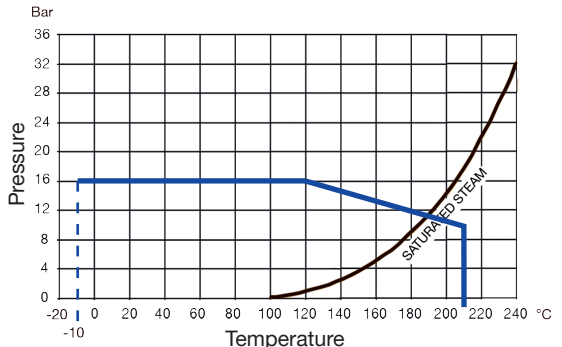
Max pressure: 16 Bar

Working temp: -10°C to +230°C

DN	50	65	80	100	125	150	200	250	300
D	165	185	200	220	250	285	340	405	460
D1	125	145	160	180	210	240	295	355	410
D2	99	118	132	156	184	211	266	319	370
E	20	17,5	19,1	23,9	23,9	25,4	28,6	30,2	31,8
F	3	3	3	3	3	3	3	3	4
L	203	216	241	292	330	356	495	622	698
L2	178	178	200	254	300	300	348	400	457
n-d	4-19	4-19	8-19	8-19	8-19	8-23	12-23	12-28	12-28
KV	41	79	114	175	220	358	680	998	1427
Kgs	15.6	21.5	30.9	46.8	68.4	92.6	157	219	302

N. Part Name Materials

1	Body	Cast Iron EN1561 EN-GJL-250
2	Body Ring	Cast Bronze BS1400 LG2
3	Disc Ring	Cast Bronze BS1400 LG2
4	Disc	Cast Iron EN1561 EN-GJL-250
5	Stop Washer	Stainless Steel BS970 304S15
6	Nut	Cast Brass BS1400 PCB1
7	Stem	Stainless Steel BS970 420S37
8	Flange Gasket	Graphite
9	Bolt	Cast Iron BS970 43A
10	Packing	Graphite
11	Bonnet	Cast Iron EN1561 EN-GJL-250
12	Gland Follower	Ductile Iron EN1563 EN-GJS-450-10
13	Nut	Steel BS970 43A
14	Bolt	Steel BS970 43A
15	Stem Nut	Cast Brass BS1400 AB1
16	Handwheel	Cast Iron EN1561 EN-GJL-250
17	Washer	Steel BS970 43A
18	Nut	Steel BS970 43A



V1. Dimensions in mm

The information within this document is believed to be correct at the time of publication; however, the document is for guideline use only. For complete accuracy, always check the product with an SBS representative. Missing information was either not available or disclosed. It is your responsibility that any product meets the necessary requirements. Any reliance placed upon this information will be totally at the user's risk.