

CORE PRV

Pressure Reducing Valve with gauge



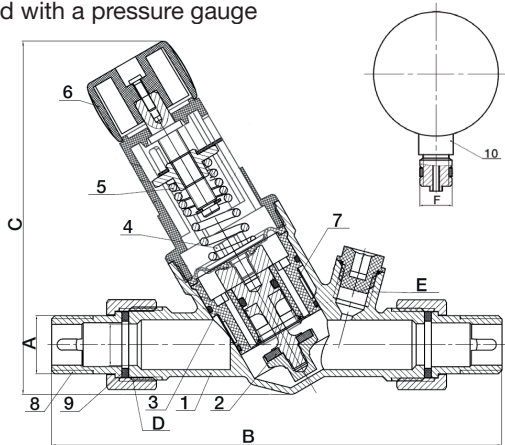
Features

- BSP Parallel Male Ends (ISO 228/1)
- Controls static and dynamic pressure
- Designed & manufactured to BS EN 1567
- Easy to service high temperature cartridge
- AISI 304 stainless steel cartridge filter
- Supplied with a pressure gauge



Technical data

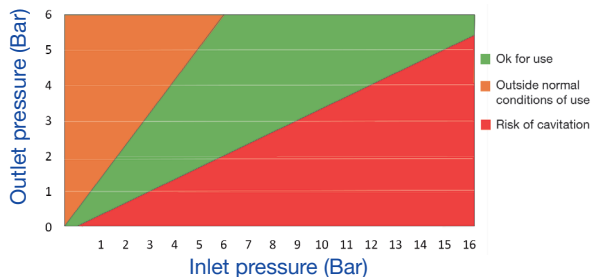
| | |
|------------------------|-------------|
| Max inlet pressure: | 16 Bar |
| Outlet pressure range: | 0.5 - 6 Bar |
| Min inlet pressure: | 1 Bar |
| Operating temperature: | 0°C - 80°C |
| Factory set pressure: | 3 Bar |



| | 1/2" | 3/4" | 1" | 1.1/4" | 1.1/2" | 2" |
|-----|------|------|--------|--------|--------|--------|
| A | | | | | | |
| B | 163 | 163 | 205 | 214 | 239 | 254 |
| C | 128 | 131 | 164 | 174 | 186 | 199 |
| D | 3/4" | 1" | 1.1/4" | 1.1/2" | 2" | 2.1/2" |
| E | 1/4" | 1/4" | 1/4" | 1/4" | 1/4" | 1/4" |
| F | 1/4" | 1/4" | 1/4" | 1/4" | 1/4" | 1/4" |
| Kv | 1.7 | 2.1 | 3.7 | 5.5 | 5.9 | 6.7 |
| Kgs | 0.76 | 0.92 | 1.49 | 1.90 | 2.61 | 3.71 |

| N. | Part Name | Materials |
|----|-----------------|----------------------------------|
| 1 | Body | DZR Brass CW602N / Nickel Plated |
| 2 | Disc | DZR Brass CW602N |
| 3 | Cartridge | Polyoxymethelene |
| 4 | Seat | DZR Brass CW602N |
| 5 | Spring | Stainless Steel 304 |
| 6 | Adjustable Knob | Polyamid / 6T |
| 7 | Filter | Stainless Steel 302 |
| 8 | Male Union End | DZR Brass CW602N / Nickel Plated |
| 9 | Seal | EPDM |
| 10 | Pressure Gauge | Steel Casing / Glycerine Filled |

Cavitation Chart



V1. Dimensions in mm

The information within this document is believed to be correct at the time of publication; however, the document is for guideline use only. For complete accuracy, always check the product with an SBS representative. Missing information was either not available or disclosed. It is your responsibility that any product meets the necessary requirements. Any reliance placed upon this information will be totally at the user's risk.