

CORE 15x3/4" Angled Washing Machine Tap WRAS

CORE Code: WMTWRAS015ANG

Brass Body with plastic red and blue handles

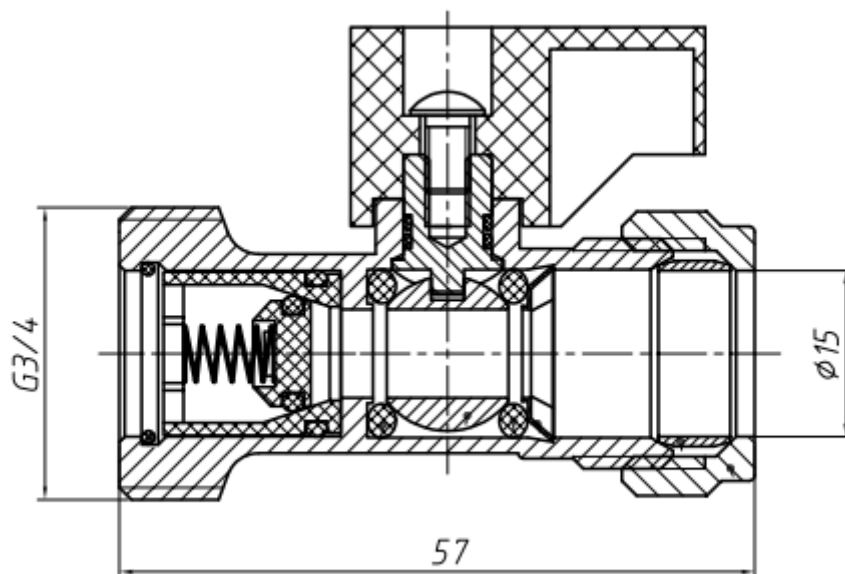
Fields of applications: Water

Maximum working pressure: 10 bar

Maximum working temperature: 85°C



15mm



Disclaimer: The information within this brochure is believed to be correct at the time of publication; however, the literature is for guideline use only. For complete accuracy, always check the product with a CORE representative. Missing information was either not available or disclosed. Confirm with the CORE technical team for complete and accurate information, as it is your responsibility that any product meets the necessary requirements. Any reliance placed upon this information will be totally at the user's risk.