

CORE 15x1/2" CP Service Valve Bent Swivel WRAS



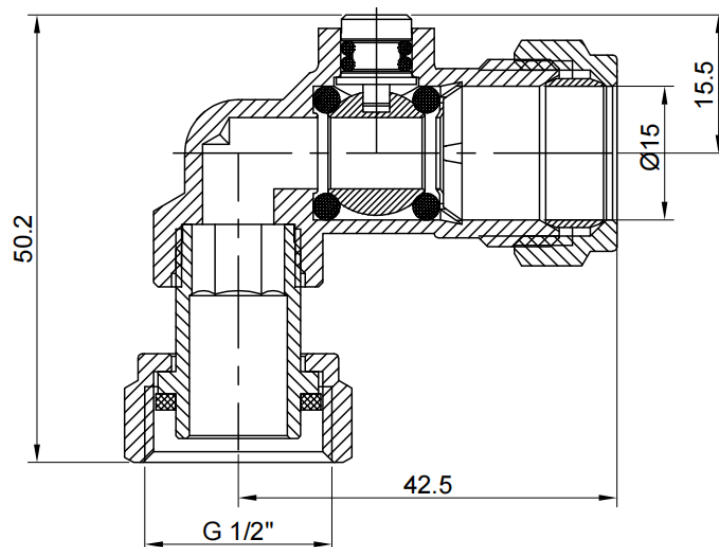
CORE Code: SVBWRAS015

Material: Brass Body

Fields of applications: Water

Maximum working pressure: 10 bar

Maximum working temperature: 85°C



Disclaimer: The information within this brochure is believed to be correct at the time of publication; however, the literature is for guideline use only. For complete accuracy, always check the product with a CORE representative. Missing information was either not available or disclosed. Confirm with the CORE technical team for complete and accurate information, as it is your responsibility that any product meets the necessary requirements. Any reliance placed upon this information will be totally at the user's risk.