

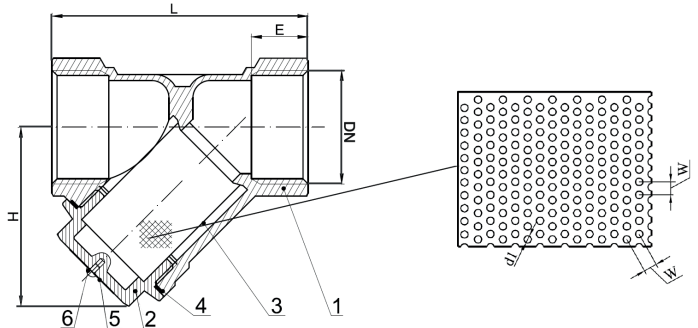
# CORE 370

## PN20 Bronze 'Y' Strainer



### Features

- Screwed BSP Taper (ISO 7/1)
- Tested to BS EN 12266



### Technical data

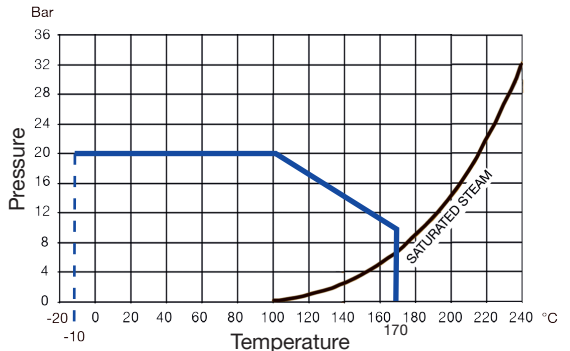
Max pressure: 20 Bar

Working temp: -10°C to +170°C

DN	1/2"	3/4"	1"	1.1/4"	1.1/2"	2"
L	57	72	74.5	95	105	129
H	43	48.5	54	67	75.5	92
E	11.5	14	16	18	18	21
Mesh	30	30	30	20	20	20
d1	0.6	0.6	0.6	0.8	0.8	0.8
W	0.9	0.9	0.9	1.3	1.3	1.3
Kv	4.6	8.3	9.9	14.7	20.3	39.0
Kgs	0.18	0.29	0.40	0.68	0.90	1.34

### N. Part Name Materials

1	Body	Bronze C83600 ASTM B62
2	Bonnet	Bronze C83600 ASTM B62
3	Strainer	Stainless Steel 304 ASTM A240
4	Gasket	PTFE
5	Nameplate	Aluminium
6	Rivet	Stainless Steel 304 ASTM A240



V1. Dimensions in mm

The information within this document is believed to be correct at the time of publication; however, the document is for guideline use only. For complete accuracy, always check the product with an SBS representative. Missing information was either not available or disclosed. It is your responsibility that any product meets the necessary requirements. Any reliance placed upon this information will be totally at the user's risk.