

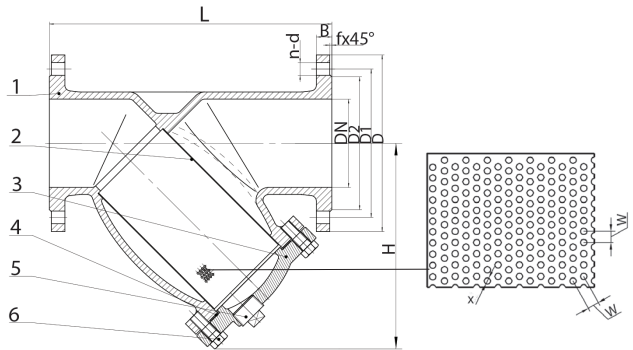
CORE 372

PN16 Cast Iron Flanged 'Y' Type Strainer



Features

- Flanged mounting PN16 only
- Flange conforms to BS EN1092 PN16
- BS EN558-1 Series 1
- DN50 & DN65 square drain port
- DN80-DN600 circular drain port



Technical data

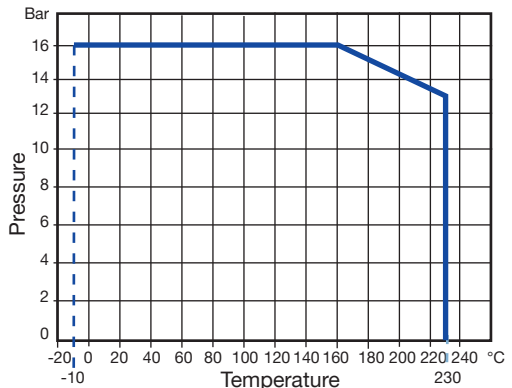
Max pressure: 16 Bar

Working temp: -10°C to +230°C

DN	50	65	80	100	125	150	200	250	300	350	400	450	500	600
L	230	290	310	350	400	480	600	730	850	980	1100	1200	1250	1450
D	165	185	200	220	250	285	340	405	460	520	580	640	715	840
D1	125	145	160	180	210	240	295	355	410	470	525	585	650	770
D2	99	118	132	156	184	211	266	319	370	438	490	548	609	720
B	20	20	22	24	26	26	30	32	32	36	38	40	42	48
f	3	3	3	3	3	3	3	3	4	4	4	4	4	5
n-d	4-19	4-19	8-19	8-19	8-19	8-23	12-23	12-28	12-28	16-28	16-31	20-31	20-34	20-37
H	156	176	199	240	292	320	399	516	568	648	759	777	825	944
X	1.5	1.5	1.5	1.5	1.5	1.5	1.5	1.5	1.5	3	3	5	5	5
W	2.5	2.5	2.5	2.5	2.5	2.5	2.5	2.5	2.5	5	5	7	7	7
Kv	60	93	136	229	363	502	815	1382	1928	-	-	-	-	-
Kgs	10.1	14.0	20.3	26.6	39.8	57.0	97.0	164.0	234.0	312.0	444.0	560.0	652.0	1072.0

N. Part Name Materials

1	Body	Cast Iron BS EN1561 EN-GJL250
2	Screen	Stainless Steel 304
3	Bonnet	Cast Iron BS EN1561 EN-GJL250
4	Gasket	Graphite
5	Screw Plug	Cast Brass BS2874 CZ122
6	Bolt	Steel BS970 43A



V1. Dimensions in mm

The information within this document is believed to be correct at the time of publication; however, the document is for guideline use only. For complete accuracy, always check the product with an SBS representative. Missing information was either not available or disclosed. It is your responsibility that any product meets the necessary requirements. Any reliance placed upon this information will be totally at the user's risk.